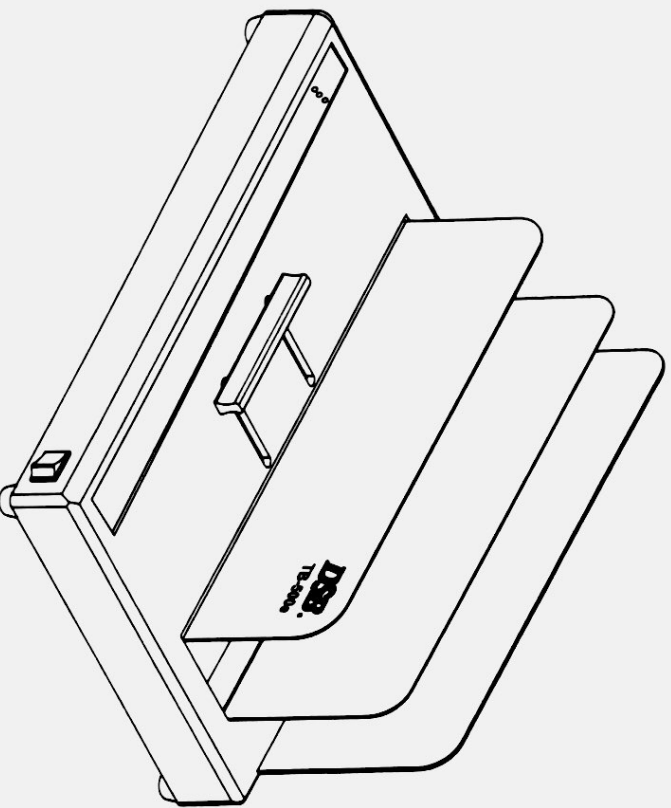


TB-500e Thermal Binding Machine

Instruction Manual



Specification :

1. Max:Binding thickness : 50 mm ,1-500 sheets (70g/A4)
2. PTC Heating system : Durable and Safe .
3. Delay protection: Prevent the glue overflow, low carbon energy saving .
4. CPU program controller : New concept .
5. Infrared rays inspection system : Binding smoothly .
6. Manual operation of guide rail : Tightly the binding materials to avoid any missing paper .

Please read this instruction carefully before use and keep it safely for reference afterwards.

Safety Protection System :

- 1.After binding, if you do not remove the binding paper, three minutes after the machine goes to hibernate , the sleep indicator light flashes, LED is off . Needed to re-start the machine to bind .
- 2.After the machine has finished warming up, wait 30 minutes if there is no binding paper, the machine goes to hibernate, the sleep indicator flashes , LED is off . Needed to re-start the machine to bind .
- 3.After binding and remove the binding paper , wait 30 minutes if there is no binding paper , machine goes to hibernate , LED is off . Needed to re-start the machine to bind .

Caution :

1. Keep clean of the binding groove area.
2. For safety consideration , do not touch the heating plate.
3. Power off when ready.

Operation Steps :

1. Put the binding paper into the thermal binder cover , and align it .
2. Power on , the warm light will on , machine is under heating
3. Wait the RUN light on with the beep sound , that mean the heating is completely and can start working .
4. Put the cover into the binding groove and touch tightly with the heating plate
5. When RUN green light on accompany the beep sound , take out the binding material, and put into the cooling groove , wait 3 mins to cool down .

Thermal binder cover thickness and capacity binding sheets chart :

Cover thickness	1mm	2mm	3mm	4mm	6mm	8mm	10mm	12mm	15mm	18mm
Binding sheet	1-8	9-15	16-25	26-35	36-50	51-70	71-85	86-100	101-130	131-160
Cover thickness	20mm	22mm	24mm	27mm	30mm	33mm	36mm	40mm	45mm	50mm
Binding sheet	161-180	181-200	201-220	221-250	251-280	281-320	321-350	351-380	381-430	431-480

Technology Data :

Rated Voltage	220/50HZ
Rated power	4A
Maximum Binding Length	A4
Maximum Binding Capacity	500 sheets
Weight	4.2KG
Dimension (L*W*H)	380*240*170mm